

Multi-channel Circuit Metering System

BJ-MCM2403

User Manual

Version: 1.3

Read me

When you use BJ-MCM2403 series Multi-Channels Circuit Metering system, be sure to carefully read this user manual, and be able to fully understand the implications, the correct guidance of operations in accordance with user manual, which will help you make better use this DC Energy Meter, and help to solve the various problems at the scene.

1. Before the meter turning on the power supply, be sure that the power supply within the provisions of the instrument;
2. When installation, the current input terminal must non-open, voltage input terminals must Non-short circuit;
3. Be sure the instrument wiring consistent with the internal system settings;
4. When communicating with the PC, instrument communication parameters must be consistent with the PC



- **Please read this user manual carefully**
- **Please save this document**

Directory

CONTENTS	Page
1. - SUMMARIZE.....	- 3 -
2. - SPECIFICATIONS	- 4 -
3.- INSTALLATION AND START-UP.....	- 6 -
3.1.- INSTALLATION	- 6 -
3.2. - CONNECTION TERMINAL OF MCM400	- 7 -
4. - SETUP PROCEDURE	- 8 -
4.1. - KEY OPERATION	- 8 -
4.2. - SHOW ELECTRIC PARAMETERS	- 8 -
4.3.- PARAMETERS SETTING.....	- 10 -
4.4. - MENU STRUCTURE.....	- 11 -
5. - COMMUNICATION PROTOCOL	- 13 -
5.1. - CONNECTION FOR THE RS485 BUS	- 13 -
5.2. - MODBUS © PROTOCOL.....	- 14 -
5.3. - REGISTER ADDRESS TABLE	- 15 -
6. - SAFETY CONSIDERATIONS	- 19 -
7. - MAINTENANCE.....	- 19 -

1. - SUMMARIZE

The MCM2403 Series provides a compact and robust metering solution, enable reliable monitoring of building electrical loads with a low installation cost-per-point by combining sub-metering. The unit performs real-time metering, measures energy consumption, multi-tariff time-of-use (TOU) and monitors power quality of 4 channels circuits for three phase circuits.

Advanced communications options including Modbus via RS485, I/O communications provide for extensive reliable data exchange. Multiple units can be connected together to meter unlimited number of circuits. The versatility of MCM400 meters are ideal for multi-tenant or departmental metering applications within office towers, condominiums, apartment buildings, shopping centers and other multi-user environments.

Measurement Function

Voltage: Line Voltage; Phase Voltage

Current: Total Current; Current per channel

Power and Power Factor: Total power Reactive Power, Apparent Power, Power Factor and for per channel

Frequency: System Frequency

Energy Function

Energy (kWh) measurement meeting international standards, accuracy is Class 1.0. It optional Time of Use feature: 12 Seasons, 4 Tariffs record, max three-month data for each channel.

Over/Under Limit Alarming

Users can select parameters and set their set points. An alarm will be triggered when the set point is reached, user can get the info from MODBUS reading.

Power Quality Analysis

Optional power quality parameters such as voltage and current THD, Odd harmonic distortion (Total Odd HD), even harmonic distortion (Total Even HD), 2 ~ 21 times the harmonic content, Current K-factor (KF), crest factor (CF), telephone interference factor (THFF), voltage and current unbalance etc.

Communication and Network

Supports RS485 communication open protocol: Modbus RTU;

2. - SPECIFICATIONS

Reference standard:

IEC60688-2012

IEC62053-21:2003

GBT 22264.1-2008 (IEC61557-12)

Accuracy standards

Parameter	Accuracy	A phase	B phase	C phase	All
Voltage	0.2	Va	Vb	Vc	
Current	0.2	Aa ₁₋₁₂	Ab ₁₋₁₂	Ac ₁₋₁₂	
Active Power	0.5	Wa ₁₋₁₂	Wb ₁₋₁₂	Wc ₁₋₁₂	W ₁₋₁₂
Reactive Power	0.5	vara ₁₋₁₂	varb ₁₋₁₂	varc ₁₋₁₂	var ₁₋₁₂
Apparent power	0.5	VAA ₁₋₁₂	VAB ₁₋₁₂	VAC ₁₋₁₂	VA ₁₋₁₂
Power Factor	0.5	PFA ₁₋₁₂	PFB ₁₋₁₂	PFc ₁₋₁₂	PF ₁₋₁₂
Active Energy	1				Wh ₁₋₁₂
Reactive Energy	2				varh ₁₋₁₂
Frequency	0.1				Hz ₁₋₁₂

Notes: final metering accuracy depends one sampling CT and PT accuracy

Input

Voltage: Rated 20~380V (need confirm before order)

Current: Rated .. /100mA (optional .. /0.333V, need confirm before order)

Frequency: 40-65Hz

Overload

Current: 1.2 times rated continuous; 5 seconds for 10 times the rated

Voltage: 1 seconds for 2 times the rated

Dielectric strength

Standard IEC 61010-1

2kV AC RMS 1 minute, between input / output / case / power supply

EMC Test

	standard	Test voltage
Electrostatic discharge immunity test:	IEC-61000-4-2 level 4	8Kv
Electrical fast transient burst immunity test	IEC61000-4-4 level 3	Input 1kV; Power supply 2kV
Surge (Shock) immunity test	IEC61000-4-5 level 3	common mode test voltage 2kV

Work environment

Temperature: -15C~ +55C

Humidity: RH 20%~95% (No condensation)

Storage Conditions

Temperature: -30C~+70C

Humidity: RH 20%~95%

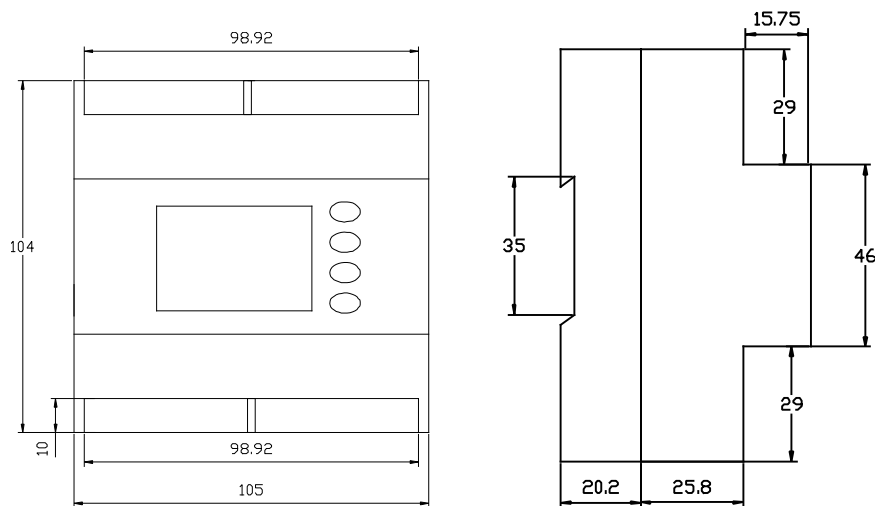
Working Power

AC/DC 85-265V, 45-65Hz

Maximum power consumption 3W

Dimensions

L × H × D = 105X104X61.75mm



3.- INSTALLATION AND START-UP



The manual you hold in your hands contains information and warnings that the user should respect in order to guarantee a proper operation of all the instrument functions and keep its safety conditions. The instrument must not be powered and used until its definitive assembly is on the cabinet's door.

Whether the instrument is not used as manufacturer's specifications, the protection of the instrument can be damaged.

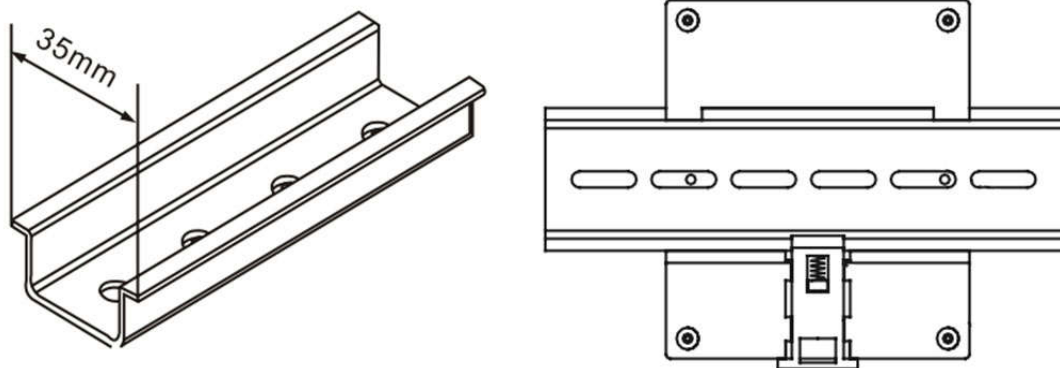
When any protection failure is suspected to exist (for example, it presents external visible damages), the instrument must be immediately powered off. In this case contact a qualified service representative.

3.1.- Installation

Mounting

Instrument is to be mounted on 35mm Din-rail. Keep all connections inside the cabinet.

Note that with the instrument powered on, the terminals could be dangerous to touch and cover opening actions or elements removal may allow accessing dangerous parts. Therefore, the instrument must not be used until this is completely installed.

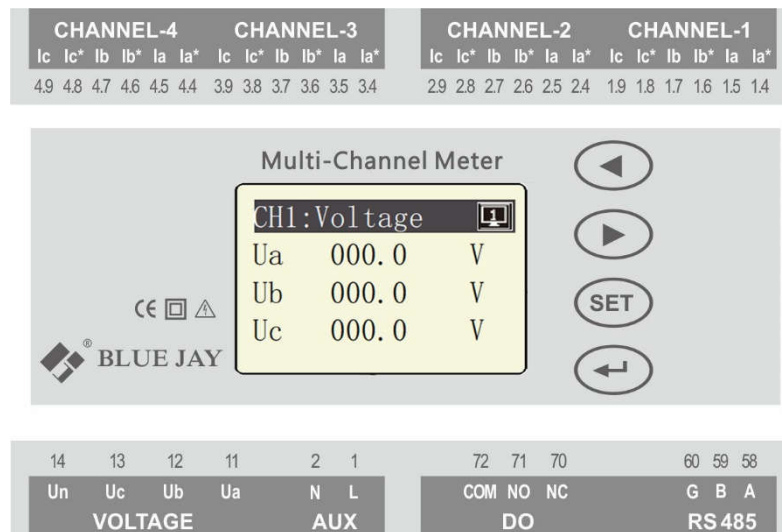


Notes:

Auxiliary power:

MCM2403 meter with AUX power input, if not for a special statement, we provide the 85-265VAC/DC power interface for standard products. Please ensure that the auxiliary power match meter access to prevent damage to the product.

3.2. - Connection terminal of MCM400



Notes:

Meter use foolproof design, access terminal uses different styles block:

Terminal	Size	Style
Current sampling	3.81mm	6pin
Voltage sampling	7.62mm	4pin
AUX sampling	5.08mm	2pin
Digital output terminal	5.08mm	3pin
RS485 COMM	3.81mm	3pin

The current input pin need to access the CT, and output signal of CT is 0-100mA or 0~0.333V, CT access have polarity to power direction. Please confirm your ordering meter types and prepare related CT.

Digital output is passive load, inside relay can drive max 250VAC(3A)/30VDC(3A) load, please make sure connected load do not exceed this capacity.

Wiring diagram may be changed due to the special requirements of customers' order, please refer the label on the rear part.

If you are or sure or signs unclear, please contact:

Blue Jay Technical Support: tech@cqbluejay.com

4. - SETUP PROCEDURE

4.1. - Key operation

“←” or “→” Screen switch or value increase/decrease

“SET” Menu enters or exit

“↵” Enter next menu or confirm the change



4.2. - Show electric parameters

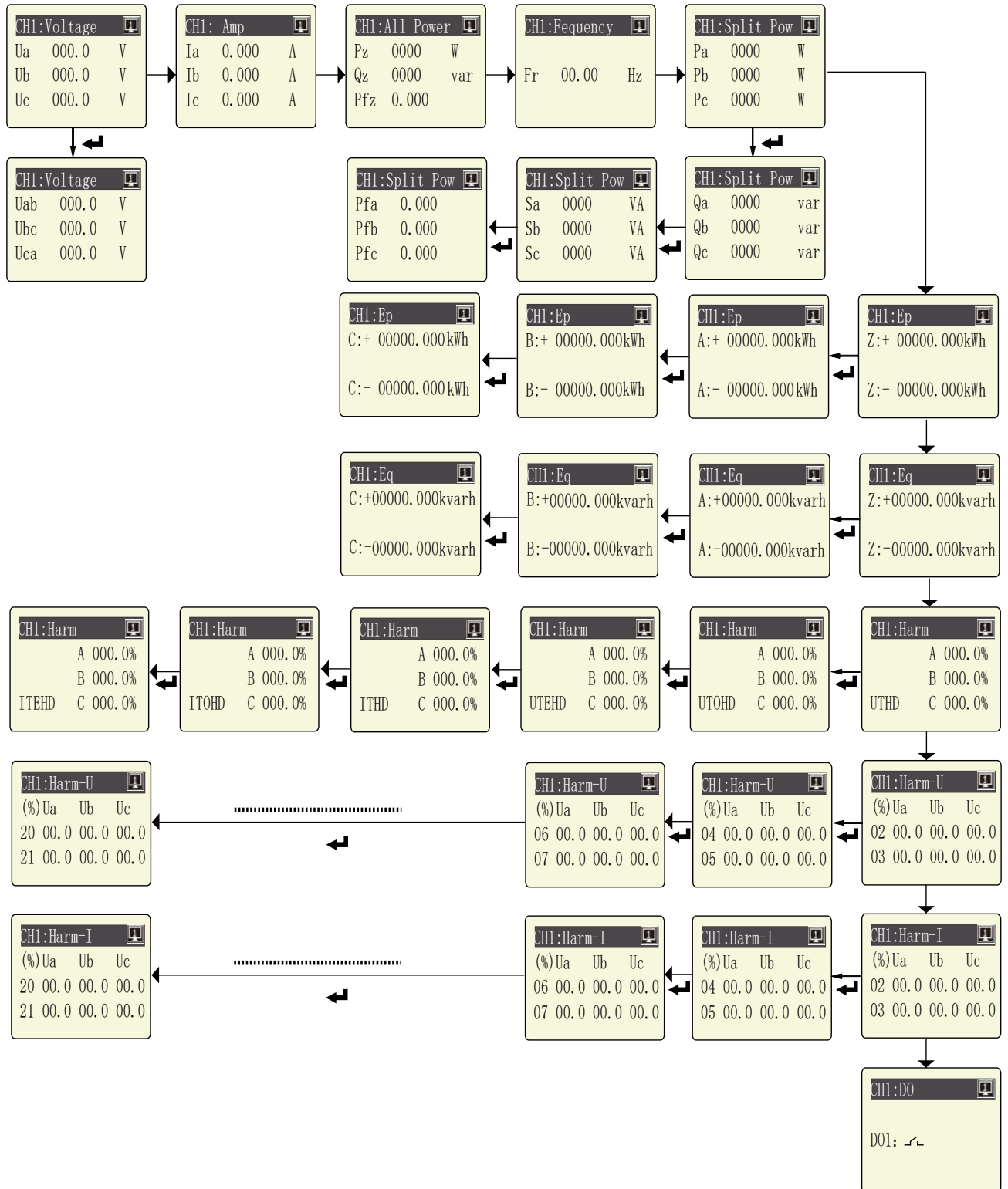
When the MCM2403 in monitor screen, user can use keypad switch shows the electrical parameters,

press “→” to switch another screen in this channel,

press “←” to switch parameter for channel 1-4

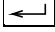
press “↵” to switch more details parameter in screen

screen roller logic as following:

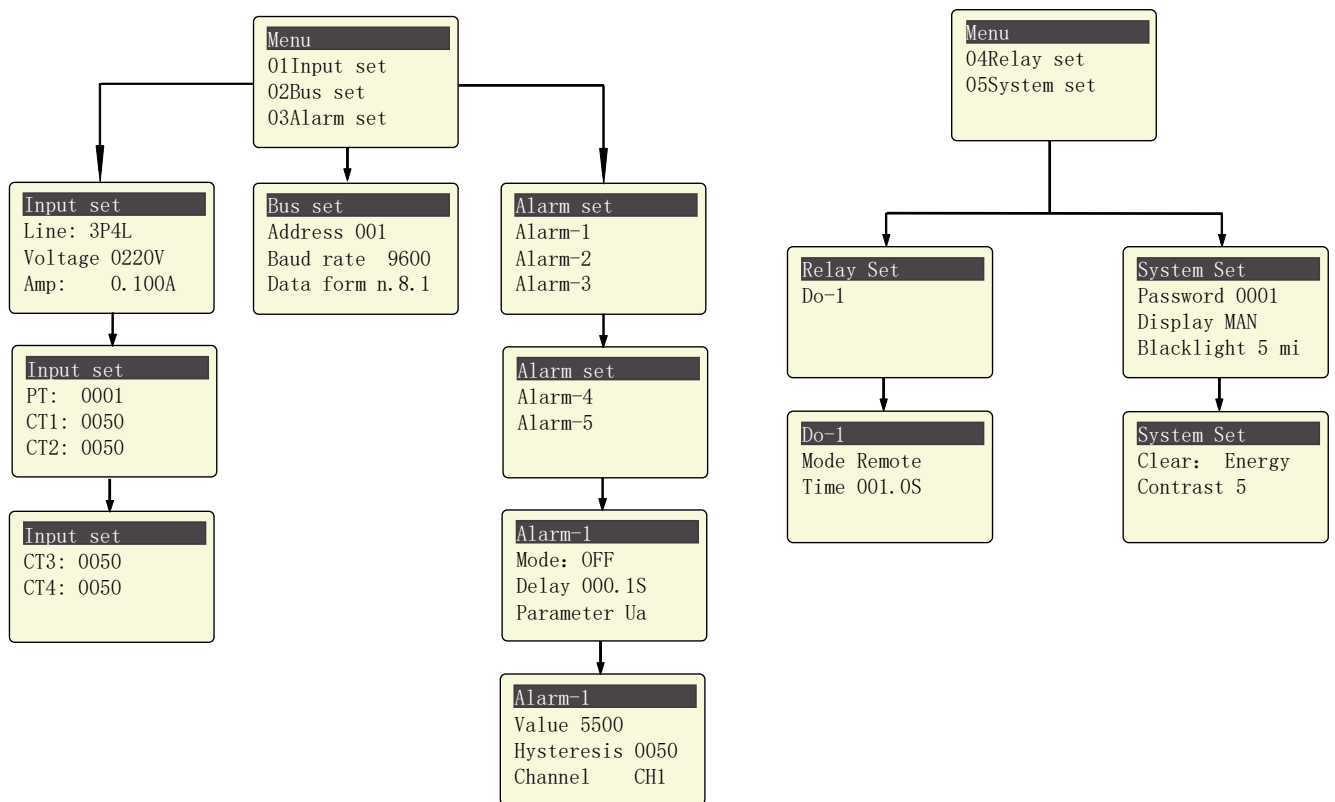


4.3.- Parameters Setting

The SETUP procedure of the MCM2403 is performed by means of several SETUP options. When into the SETUP, use the keyboard to select different options and enter required variables:

Press the key **SET** can enter the parameter setting. the screen ask access password (Default is 0001), then press  can enter the menu.

The operation menu logic as following:



4.4. - Menu Structure

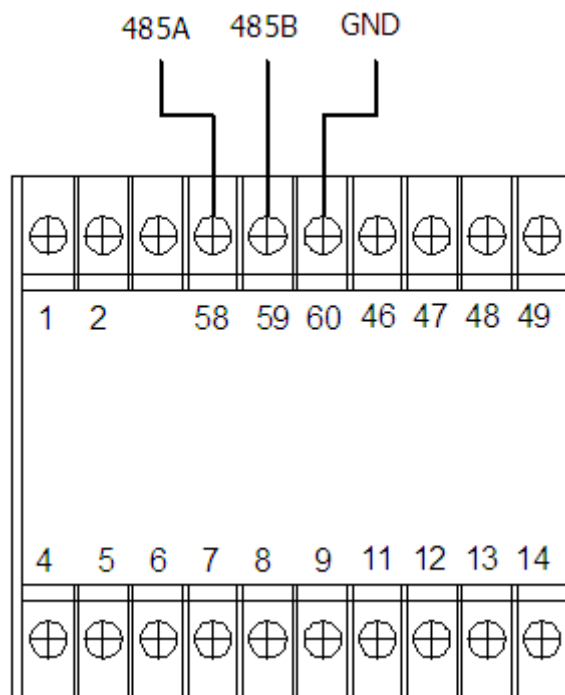
level 1	Level 2	Level 3	Level 4	Description
Input Setting	Wiring mode	3P4L/3P3L2CT/3P3L3CT		input signal network measurement
	Rated volt	220V		Default setting, cannot be modified
	Rated amp	0.100A(100mA)		Default setting, cannot be modified
	PT ratio	Last time set value	1~9999	Default 0001
	CT ratio of CH1	Last time set value	1~9999	Default 0050
	CT ratio of CH2	Last time set value	1~9999	Default 0050
	CT ratio of CH3	Last time set value	1~9999	Default 0050
	CT ratio of CH4	Last time set value	1~9999	Default 0050
Comm Setting	Address	1~247	/	Default 0001
	Baud Rate	2400 / 4800 / 9600 / 19200	/	Default is 9600
	Check format	n.8.1 / o.8.1 / e.8.1	/	Factory default (n.8.1)
Alarm Setting	Alarm_1...5	Mode	OFF / Upper Limit / Lower Limit	Total three mode
		Delay	/	Alarm triggered time delay, Default 001.0s
		Parameter	Ua/Ub/Uc/Uab/Ubc...	Alarm triggered parameters
		Value	0~9999	Default is 5500,value related to secondary side parameters, unit: Volte - 0.1V; Amp - 0.001A; Active power - 0.1W; Reactive power - 0.1VAR; Power factor - 0.001; Frequency - 0.01HZ;
		hysteresis	0~9999	Default is 0050
		Related channel	CH1-4	Default CH1
Digital output	DO	Mode	Remote Alarm_1...5 ON OFF	Remote for RS485 control Alarm_1...5 related to alarm setting ON/OFF are forced act/release
		Time	Default 001.0sec	In Alarm act for delay time, in remote control mode for pulse time
System Settings	Password	0~9999	/	Reset user password
	Display	MAN Number 1~9	/	Manual switching, or automatic switching in 1~9sec

	Backlight	1~5	/	LCD backlight duration, unit is min, default is 5
	Clear	Energy	/	Clear the record in meter
	Contrast	1~9	/	LCD display contrast, default is 5

5. - COMMUNICATION PROTOCOL

5.1. - Connection for the RS485 BUS

The composition of the RS-485 cabling must be carried out with a meshed screen cable (minimum 3 wire), diameter of not less than 0.5mm², with a maximum distance of 1,200 m between the BJ194... and the master unit. This Bus may connect a maximum of 32 BJ194...



Note:

1. For communication with the master unit, customers can choose the RS-232 to RS-485 converter to use
2. Full range of BJ-... meter RS485 PIN number is 58,59,60
3. Due to product modifications or custom requirements, the interface pin place may be changed. For details, please refer to product label on the rear board

5.2. - MODBUS © protocol

Modbus RTU Frame Format:

Address code	1 BYTE	<i>Slave device address 1-247</i>
Function code	1 BYTE	<i>Indicates the function codes like read coils / inputs</i>
Data code	4 BYTE	<i>Starting address, high byte Starting address, low byte Number of registers, high byte Number of registers, low byte</i>
Error Check code	2 BYTE	<i>Cyclical Redundancy Check (CRC)</i>
	:	

MODBUS FUNCTIONS

Code:	Meaning:	Description:
FUNCTION 03	Reading of n Words	<i>This function permits to read all the electrical parameters of the BJ194...series.</i>
FUNCTION 06	Preset single Registers	<i>Write value in to the relevant register</i>

5.3. - Register Address Table

5.3.1- Basic Power Data—Primary Side (Read only)

Address	Data	Byte mode		Instruction	Status
0	CH1_Ua	float	2	Channel_1 Phase to Line Voltage, Unit: V	R
2	CH1_Ub	float	2		R
4	CH1_Uc	float	2		R
6	CH1_Uab	float	2	Channel_1 Phase to Phase Voltage, Unit: V	R
8	CH1_Ubc	float	2		R
10	CH1_Uca	float	2		R
12	CH1_Ia	float	2	Channel_1 Three phase Current, Unit: A	R
14	CH1_Ib	float	2		R
16	CH1_Ic	float	2		R
18	CH1_Pa	float	2	Channel_1 Individual phase active power, Unit: kW	R
20	CH1_Pb	float	2		R
22	CH1_Pc	float	2		R
24	CH1_P Σ	float	2	Channel_1 Total active power, Unit: kW	R
26	CH1_Qa	float	2	Channel_1 Individual phase reactive power, Unit: kVar	R
28	CH1_Qb	float	2		R
30	CH1_Qc	float	2		R
32	CH1_Q Σ	float	2	Channel_1 Total reactive power, Unit: kVar	R
34	CH1_Sa	float	2	Channel_1 Individual apparent power, Unit: kVA	R
36	CH1_Sb	float	2		R
38	CH1_Sc	float	2		R
40	CH1_S Σ	float	2	Channel_1 Total apparent power, Unit: kVA	R
42	CH1_PFa	float	2	Channel_1 Individual power factor, 0~1.000	R
44	CH1_PFb	float	2		R
46	CH1_PFc	float	2		R
48	CH1_PF Σ	float	2	Channel_1 Total power factor, 0~1.000	R
50	CH1_FR	float	2	Channel_1 Frequency, Unit:0.01Hz	R
52	CH1_EpZ+	float	2	Channel_1 Total positive active energy, Unit: kWh	R
54	CH1_EpZ-	float	2	Channel_1 Total negative active energy, Unit: kWh	R
56	CH1_EqZ+	float	2	Channel_1 Total positive reactive energy, Unit: kWh	R
58	CH1_EqZ-	float	2	Channel_1 Total negative reactive energy, Unit: kWh	R
60	CH1_EpA+	float	2	Channel_1 A phase positive active energy, Unit: kWh	R

62	CH1_EpA-	float	2	Channel_1 A phase negative active energy, Unit: kVarh	R
64	CH1_EqA+	float	2	Channel_1 A phase positive reactive energy, Unit: kVarh	R
66	CH1_EqA-	float	2	Channel_1 A phase negative reactive energy, Unit: kWh	R
68	CH1_EpB+	float	2	Channel_1 B phase positive active energy, Unit: kWh	R
70	CH1_EpB-	float	2	Channel_1 B phase negative active energy, Unit: kVarh	R
72	CH1_EqB+	float	2	Channel_1 B phase positive reactive energy, Unit: kVarh	R
74	CH1_EqB-	float	2	Channel_1 B phase negative reactive energy, Unit: kWh	R
76	CH1_EpC+	float	2	Channel_1 C phase positive active energy, Unit: kWh	R
78	CH1_EpC-	float	2	Channel_1 C phase negative active energy, Unit: kVarh	R
80	CH1_EqC+	float	2	Channel_1 C phase positive reactive energy, Unit: kVarh	R
82	CH1_EqC-	float	2	Channel_1 C phase negative reactive energy, Unit: kWh	R
100-182	CH2_parameter	float	2	Channel_2 parameter, structure refer to Channel_1	R
200-282	CH3_parameter	float	2	Channel_3 parameter, structure refer to Channel_1	R
300-382	CH4_parameter	float	2	Channel_4 parameter, structure refer to Channel_1	R

5.3.2- Meter status data

Address	Data	Byte mode		Instruction	Status
1200	Digital output	int	1	0: without act 1: active for trig	R
1202	Alarm	int	1	0: without alarm 1: Alarm trigged Bit 0~4 show Alarm_1~5 status	R
1203(R/W)	DO working mode	int	1	0: Remote control 1: Related to Alarm_1 2: Related to Alarm_2 3: Related to Alarm_3 4: Related to Alarm_4 5: Related to Alarm_5 6: trig to closed	R/W

				7: trig to opened	
1204	DO time delay	int	1	In alarm mode: 0.0-999.9sec In remote control mode: 0 for Level output: other value for pulse width 0.1-999.9sec	R/W
1240	Wiring mode	int	1	0: 3P4W 1: 3P3W-2CT 2: 3P3W-3CT	R
1241	Voltage range	int	1	Unit: V	R
1242	Current range	int	1	Unit: mA	R
1243	PT ratio	int	1	Range: 1-9999	R
1244	CT of CH1	int	1	Range: 1-9999	R
1245	CT of CH2	int	1	Range: 1-9999	R
1246	CT of CH3	int	1	Range: 1-9999	R
1247	CT of CH4	int	1	Range: 1-9999	R

5.3.3 - Voltage harmonic (max 21th)

Address	Data	Byte mode		Instruction	Status
1300	THDUa	int	1	A-phase Voltage THD, unit 0.1%	R
1301	THDUb	int	1	B-phase Voltage THD	R
1302	THDUc	int	1	C-phase Voltage THD	R
1303	TOHDUa	int	1	A-phase Voltage odd harmonic total distortion, unit 0.1%	R
1304	TOHDUb	int	1	B-phase Voltage odd harmonic total distortion	R
1305	TOHDUc	int	1	C-phase Voltage odd harmonic total distortion	R
1306	TEHDUa	int	1	A-phase Voltage even harmonic total distortion, unit 0.1%	R
1307	TEHDUb	int	1	B-phase Voltage even harmonic total distortion	R
1308	TEHDUc	int	1	C-phase Voltage even harmonic total distortion	R
1320-1339	HUa	int	20	A phase voltage harmonic ratio for 2 to 21th, unit 0.1%	R
1340-1359	HUb	int	20	B phase voltage harmonic ratio for 2 to 21th	R
1360-1379	HUc	int	20	C phase voltage harmonic ratio for 2 to 21th	R

5.3.4 - Current harmonic (max 21th)

Address	Data	Byte mode		Instruction	Status
1400	THDIa1	int	1	Channel_1 A-phase Current THD, unit 0.1%	R
1401	THDIb1	int	1	Channel_1 B-phase Current THD	R
1402	THDIc1	int	1	Channel_1 C-phase Current THD	R
1403	TOHDIa1	int	1	Channel_1 A-phase Current odd harmonic total distortion, unit 0.1%	R

1404	TOHD1b1	int	1	Channel_1 B-phase Current odd harmonic total distortion	R
1405	TOHD1c1	int	1	Channel_1 C-phase Current odd harmonic total distortion	R
1406	TEHD1a1	int	1	Channel_1 A-phase Current even harmonic total distortion, unit 0.1%	R
1407	TEHD1b1	int	1	Channel_1 B-phase Current even harmonic total distortion	R
1408	TEHD1c1	int	1	Channel_1 C-phase Current even harmonic total distortion	R
1420-1439	H1a1	int	20	Channel_1 A phase Current harmonic ratio for 2 to 21th, unit 0.1%	R
1440-1459	H1b1	int	20	Channel_1 B phase Current harmonic ratio for 2 to 21th	R
1460-1479	H1c1	int	20	Channel_1 C phase Current harmonic ratio for 2 to 21th	R
1500-1579	CH2 Harmonic	int	20	Channel_2 harmonic value, structure refer to Channel_1	R
1600-1679	CH3 Harmonic	int	20	Channel_3 harmonic value, structure refer to Channel_1	R
1700-1779	CH4 Harmonic	int	20	Channel_4 harmonic value, structure refer to Channel_1	R

5.3.5 – Special operation

Address	Data	Byte mode		Instruction	Status
3000	Reset energy counter	int	1	Send code 0x0A0A (DEC 2570) to clear all the energy counter	W

6. - SAFETY CONSIDERATIONS



All installation specification described at the previous chapters named:
INSTALLATION AND STARTUP, INSTALLATION MODES and SPECIFICATIONS.

Note that with the instrument powered on, the terminals could be dangerous to touching and cover opening actions or elements removal may allow accessing dangerous parts. This instrument is factory-shipped at proper operation condition.

7. - MAINTENANCE

The MCM400 does not require any special maintenance. No adjustment, maintenance or repairing action should be done when the instrument open and powered on, should those actions are essential, high-qualified operators must perform them.

Before any adjustment, replacement, maintenance or repairing operation is carried out; the instrument must be disconnected from any power supply source.

When any protection failure is suspected to exist, the instrument must be immediately put out of service. The instrument's design allows a quick replacement in case of any failure.