

Single Phase AC Transducer

BJ-QPA(T) / QPV(T)

User Manual

Version: 2.2

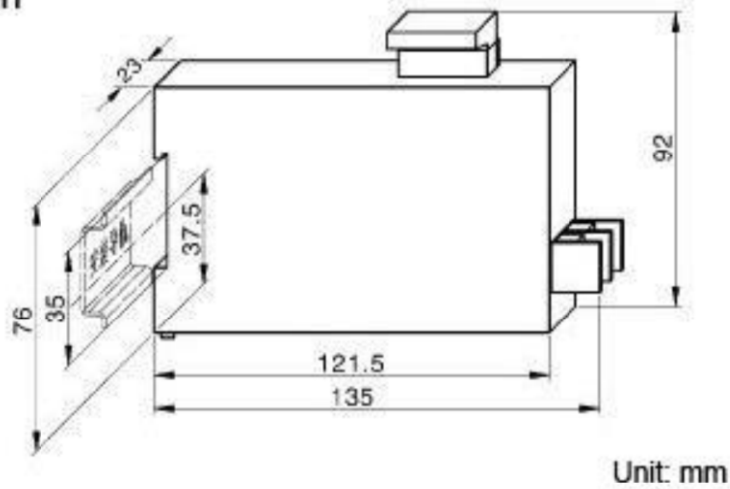
Features

1. Accurate, reliable, current measurement
2. Measure Single-phase system
3. True RMS measurement, can work in harmonic electric grid
4. Input : AC voltage or current signal (Refer to instrument labels)
5. Output: DC 4 ~ 20 mA , Analog signal (Refer to instrument labels)
6. RS485 port optional

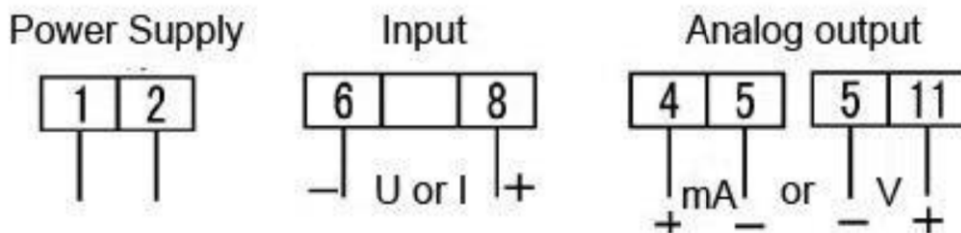
Technical parameters

Power Supply	AC 85~265V
Input	Current : 0~5A, 0~1A... Voltage: 0~100V, 0~400V...
Output	DC 4 ~ 20 mA, 0-20mA, 0-5V(refer to the label)
Accuracy	≤ ±0.5%
Accuracy drift	Annual Variation < 0.2%
Response time	≤ 400 ms
Isolation	Input / output / power supply
Power consumption	DC ≈ 3W, AC ≈ 4VA
Case Material	ABS fireproof materials
Insulation Voltage	AC 2KV RMS / min
Weight	About 250g
Insulation Resistance	Current output: 0<Lr<510Ω; Voltage output: Lr>10KΩ
Dimension	135 (L) X 23(W) X 92(H) mm
Installation	Fixed in a standard 35mm (1.38 inch) DIN rail or screwed on the cabinet
Working Condition	0 ~ 50 °C / less than 95% RH (Non-condensing)
Storage Conditions	-20 ~ 70 °C / less than 70% RH (Non-condensing)

● Dimension



● Wiring



Notes:

- (1) Pin 1,2 for power supply AC(DC)85-265V.
- (2) Pin 6,8 for measurement signal input, Make sure the product parameters on the label are the same to your order, if not, please contact BLUE JAY sales team, sales@cqbluejay.com.
- (3) For input AC signal, there is no polarity difference.
For input DC signal, Pin8 for positive (+); Pin 6 for negative (-).
- (4) Output signal for 4~20mA, access pin 4 for positive (+); Pin 5 for negative (-).
Output signal for 0~5V, access pin 11 for positive (+); Pin 5 for negative (-).

!! Do read and full understanding of the controller wiring, if cannot sure the connection, please contact BLUE JAY technical support tech@cqbluejay.com for more help.

RS485 Communication

Code:	Meaning:	Description:
FUNCTION 03	Reading of n Words	<i>This function permits to read all the electrical parameters of the BJ194...series.</i>
FUNCTION 16	Preset Multiple Registers	<i>Write value in to the relevant register</i>

Address	Data	Description	Byte	Instruction
2	point	Decimal point position	4,5	
3	SIGN	Sign bit	6,7	1 for negative, 0 for plus
0	U/I	L-N value	0,1	
1	PR	Frequency	2,3	
2	U _C /U _{CA}	C-phase volt	4,5	

For any inquiry about the instrument performance or whether any failure happens, contact to Blue Jay's technical service.

Blue Jay - After-sales service

*Building 13, 2-8, Jialing third village Pioneer Park,
 Jiangbei District , 400020 Chongqing*

Tel - + 0086 023 86850812

Fax - + 0086 023 67636974

E-mail : tech@cqbluejay.com