

192/193

Electrical Panel Meter Three phase for panel mounting

Description

192/193 series especially developed for indication and supervision of the three-phase circuit, replaces an analogical display meter, reducing installation manpower and optimizing the used one of spaces in the panel.

Ideal for protection of single phase and three-phase networks, it is monitored and generally to own alarm superior and inferior. Protection of the parameters of programming by password.

Main Features

- Class 0.5(192 series)/0.5S(193 series) electrical parameter measurement
- ITF Technology: galvanic insulation protection inputs outputs
- Measurement function cover :
Current, Voltage, total three-phase power, power factor, frequency
- RS-485 MODBUS-RTU Communications
- Optional expandable I/O
- Large character LED Screen display
- Optional various install sizes

Application

- Metering of distribution feeders, transformers, generators, capacitor banks and motors.
- Medium and low voltage systems.



Technical characteristics

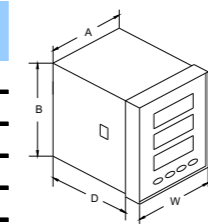
Voltage inputs (TRMS)	
PT secondary	100VAC/400VAC
Sampling Rate	2 per sec
Resolution	0.001 to 1
Burden	< 0.5VA, < 0.2VA in 20A
Current inputs (TRMS)	
CT secondary	1 and 5 A
Sampling Rate	2 per sec
Resolution	0.001 to 1
Burden	< 0.5VA, < 0.2VA in 20A
Auxiliary power supply	
AC voltage	DC/AC 85~265 ± 10 %
Frequency	50 / 60 Hz
Consumption	< 10 VA
Front panel	
Display Type	Red LED Super Bright Display
Maximum Display	9999 Counts
Polarity Indication	"-" is for negative input (option)
Communication (Option)	
Link	RS485
Type	2 ... 3 wires half duplex
Protocol	Modbus RTU mode
MODBUS speed	4800/9600bauds
I/O port, configuration as ordering info	
Optical outputs (PO)	1* Pulse, 1600imp/kWh
Relay outputs (DO)	2* 5A@250Vac / 5A@30Vdc
Status Inputs (DI)	4* Dry contact
Isolation	1kVac r.m.s
Others	
Weight	Approximate 250~400g
Calibration	27°C ± 5°C
Operation	0 to 50°C, RH < 70%
Storage	-10 to 60°C, RH < 70%
Dielectric Strength	2.5 kV at 50Hz for 1 min

BJ-19[1][2]-[3]X4-[4]/[5]/[6]

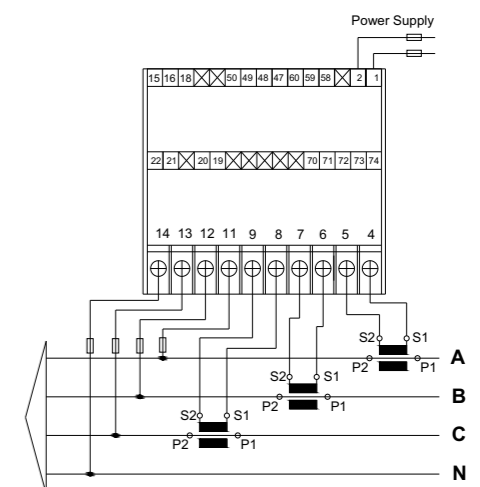
Series Name	Optional Type
[1] type	2: Basic type 3: Advanced type
[2] series code	U: Voltage Meter I: Current Meter P: Active Power Meter Q: Reactive Power Meter H: Power Factor Meter F: Frequency Meter UI: Voltage & Current Combine Meter PQH: Power & Power Factor Combine Meter
[3] panel size	D: 48(W)x48(H)x71(D)mm A: 72(W)x72(H)x71(D)mm 3: 80(W)x80(H)x71(D)mm 9: 96(W)x96(H)x71(D)mm 2: 120(W)x120(H)x71(D)mm
[4] communication port	R: with RS485 MODBUS port Blank: without this function
[5] analogue output	AO-A1: with one channel linear output (4~20mA) AO-A2: with one channel linear output (0~20mA) AO-V: with one channel linear output (0~5V) Blank: without this function
[6] digital output	DO: with one channel digital output Blank: without this function

Dimension Diagram

Dimension code	Panel Size (WxHxD)	Installation size (AxB)
2	120x120x71	110x110
3	80x80x71	75x75
9	96x96x71	90x90
A	72x72x71	67x67
D	48x48x71	45x45



Typical wiring diagram



Notes:

BJ-192/193 provide variety of wiring mode in single-phase and three-phase connection, please refer to label on product and user manual

Ordering Information

Please provide following parameter to Blue Jay Sales Team before place your order:

1. Model type
2. Input signal range
3. CT ratio / PT ratio (if any)
4. Scale Display
5. Power Supply