

DP series

Electrical CT
 ../5A styles

Description

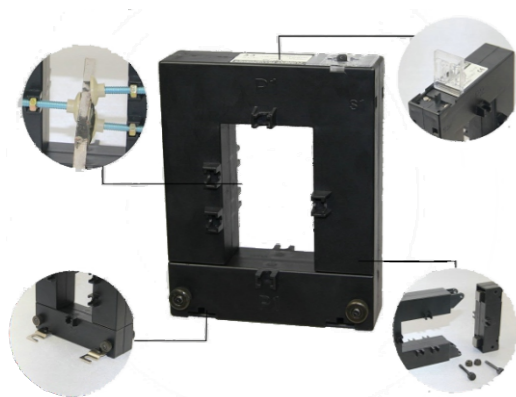
The DP series current transformer has been specially designed to facilitate their installation in new or already existing net works. Connection of conventional CTs usually requires the interruption of the primary side circuit to pass cables or bus-bars through the transformer core or to connect such cables to the primary terminals.

DP series CT core can easily opened and installed and connected without any supply interruption. Thus saving time and the installation costs.

Features

- Secondary side current 5A
- Two built in fixing methods: Wall or Busbar mounting
- Wide inner window, allowing clamping in any types of cables or bus-bars.
- Wide range of sizes to suit most site installations

Accessories application



Technical characteristics

SN-code	Primary current unit: amp	Burden(VA)		Size (H*W)	Core (H*W)
		Class 0.5	Class 1.0		
DP-23	100, 150, 200, 250	/	1.5	111*90	32*20
	300	1.5	2.5		
	400	2.5	3.75		
	250, 300	/	1.5		
DP-58	300	/	2.5	146*116	80*50
	400	1.5	2.5		
	500, 600	2.5	5		
	750	2.5	5		
	800	3.75	5		
	1000	5	10		
DP-88	250, 300	/	1.5	147*146	80*80
	400	/	2.5		
	500, 600	1.5	2.5		
	750	2.5	5		
	800	3.75	5		
DP-812	1000	7.5	7.5	188*146	120*80
	500, 600	/	2.5		
	750	2.5	5		
	800	5	2.5		
	1000	7.5	3.75		
DP-816	1200, 1250, 1500	10	5	247*189	160*80
	1000	5	10		
	1500	7.5	10		
	2000	10	15		
	2500	15	20		
	3000, 4000, 5000, 6000	20	25		

Detail information for CT ordering, please contact Blue Jay sales team

SCT series

Electrical CT
 ../1A styles

Description

SCT series split-core current senses AC current from 100 to 800 Amps passing through the center conductor.

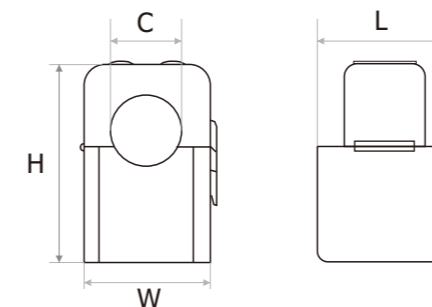
Split core design permits non-contact current measurements through magnetic field induction without requiring that the primary wire be taken offline and disconnected for CT installation. This method permits a safer, easy and portable current measurement.

Features

- Secondary side current less than 1A
- Split core design for wiring cable
- with a 1 meter distance copper wire for easy installation
- Work with MCM400 and optional ../1A for other model meter

Physical size

CODE	H	W	L	C
T16	46mm	31mm	31mm	16mm
T24	66mm	45mm	35mm	24mm
T36	82mm	58mm	40mm	36mm



Technical characteristics

Secondary side Output	
	../1A ± 1% from 5% to 120% ../100mA or ../0.333V ± 0.5% from 5% to 120%
Electrical parameters	
Insulation Voltage	600VAC
Maximum input voltage	5000VAC(Insulated Conductor)
Phase angle	Less than 2 degrees at 50% of rated current
Frequency Range	50 Hz to 400 Hz
Operating Temperature	-15Cto 60C
Standard & certification	
	CE recognized, and RoHS compliant
Size and model	
T16	less than 120A
T24	less than 300A
T36	less than 500A

Detail information for CT ordering, please contact Blue Jay sales team