

DC INSULATION MONITORING DEVICES

DC INSULATION MONITORING



Introduction

DC insulation monitoring devices are specially designed to monitor the insulation status in DC electrical systems. By measuring the insulation resistance in the electrical system, this device can provide high-precision, real-time monitoring and feedback to ensure that the insulation of the electrical system is in a safe state.

The DC insulation monitoring system can quickly detect many DC leakage conditions, including DC ground faults, insulation degradation, AC signal intrusion, and DC signal mutual intrusion. Usually used in DC power supply systems, such as solar power stations, DC transmission system, electric vehicle charging stations.



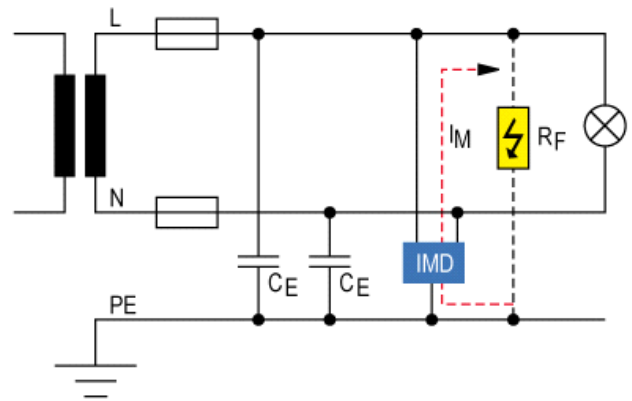
Main Features

- Automatic alarm system.
- Multiple fault type detection.
- High voltage withstand ability.
- Easy installation and maintenance.
- Real time monitor insulation status.
- RS485 remote monitoring and control.
- Widely used in DC power supply systems.
- High-precision measurement resistance changes.

Application

- Solar power station.
- DC transmission system.
- Railway electrical system.
- New energy storage system.
- Power electronic equipment.
- Electric vehicle charging station.

Working Principle



Ordering Information

Series name	Main feature	Special notes
ZJS-102	<ul style="list-style-type: none"> DC voltage range:0-300V Insulation resistance detection: 0-300 KΩ RS485/ Ethernet communication interface W*H*D: 350*180*130mm,Panel mounting 	Balanced bridge principle Specially used for DC panel
ZJJ Series	<ul style="list-style-type: none"> DC voltage range:0-300V Insulation resistance detection: 0-199.9 KΩ W*H*D: 72*100*67mm,Panel mounting 	Adopt pure analog circuit signals
	<ul style="list-style-type: none"> DC voltage range:0-1000V Insulation resistance detection: 0-1999 KΩ W*H*D: 115*105*40mm,35mm Din-rail mounting 	
JY1000-ST	<ul style="list-style-type: none"> DC voltage range:100-1000V Insulation resistance detection: 1KΩ~10 MΩ RS485, Modbus RTU W*H*D: 122.5* 75*40mm,35mm Din-rail mounting 	Self-test function optional
JY1000 JY1000-AL	<ul style="list-style-type: none"> DC voltage range:100-1000V Insulation resistance detection: 1KΩ~10 MΩ RS485, Modbus RTU W*H*D: 98*49*52mm,35mm Din-rail mounting 	Fault alarm function optional
JY1000-C2	<ul style="list-style-type: none"> DC voltage range:100-1000V Dual-channels insulation monitoring Insulation resistance detection: 1KΩ~10 MΩ W*H*D: 145*95*40mm,35mm Din-rail mounting 	RS485/Modbus-RTU protocol
JY2000-AL	<ul style="list-style-type: none"> DC voltage range:100-2000V Insulation resistance detection: 1KΩ~10 MΩ W*H*D: 145*115*40mm,35mm Din-rail mounting Fault alarm function RS485, Modbus-RTU 	Widely insulation monitoring range

ZJS-102 DC INSULATION MONITOR

DC INSULATION MONITORING



Introduction

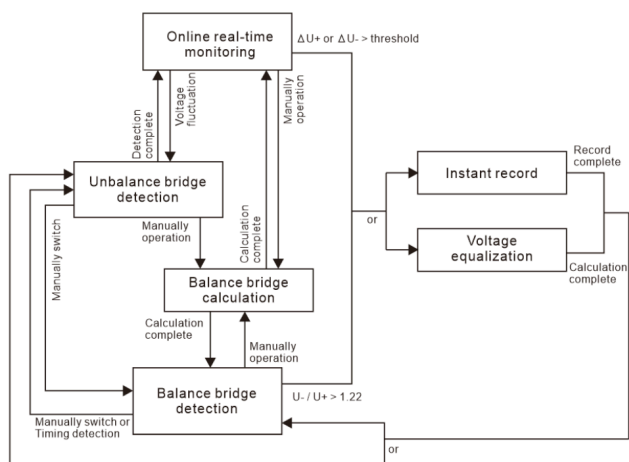
ZJS-102 DC system insulation monitor is a professional online monitoring equipment that uses balanced and unbalanced bridge detection technology to effectively eliminate the interference of distributed capacitance in the system. ZJS-102 can display the leakage current of each circuit in real time and has complete DC insulation fault monitoring functions, including single-point grounding, multi-point grounding, busbar two-pole grounding, etc.

ZJS-102 use transient alarm waveform capture and current synchronous detection technology, the insulation monitoring system records voltage and current fault curves, realizes instantaneous ground monitoring and ground fault location functions, and is an ideal choice for DC power system safety protection.

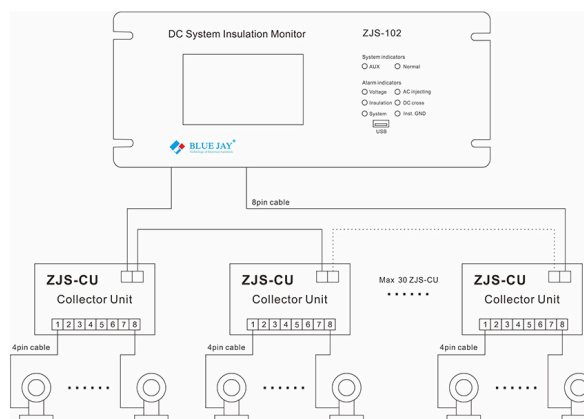
Main Features

- Circuit insulation classification alarm.
- Instantaneous ground event recording.
- Historical data analysis and download.
- Max support monitoring 240 branches.
- RS485 remote management and control.
- System distributed capacitance detection
- Continuous insulation monitoring and alarm.
- Real-time monitoring and alarming of AC /DC voltage.
- High-precision 16-bit AD converter, PLC integrated digital output.

Working Principle



Wiring Method



Technical Characteristics

Monitoring range of system insulation resistance to ground	
Earthing alarm	0-199.9K
Pre-warning	100-999.9K
Monitoring and detect range of branch insulation resistance to ground	
0-300K	
Working voltage range	
Positive pole to ground	0-300V
Negative pole to ground	0-300V
System voltage	0-300V
AC injection voltage	0-280V
Busbar-II system voltage (DC cross detect)	0-300V
Battery bank insulation fault location error	±1 cell
Alarm history record	
Record list quantities	2000 lists
Each record alarm list volume	≤32 branches
Real-time leakage current measurement	
Screen display resolution	0.01mA
Current sensor range	10mA, 20mA, 50mA, 100mA optional
Each ZJS-102 port detect current volume	≤ 240 branches
Each ZJS-CU collector unit connected current sensor	≤8
Instant event record	
Capture sampling ratio	1KHz, 500Hz, 250Hz, 125Hz configurable
Record quantities	2000
Waveforms for each instantaneous event	8
Others	
Passive digital output	7
Fault alarm indicator	6
Distributed capacitance range of the system	0-200uF

ZJJ SERIES DC INSULATION MONITOR

DC INSULATION MONITORING

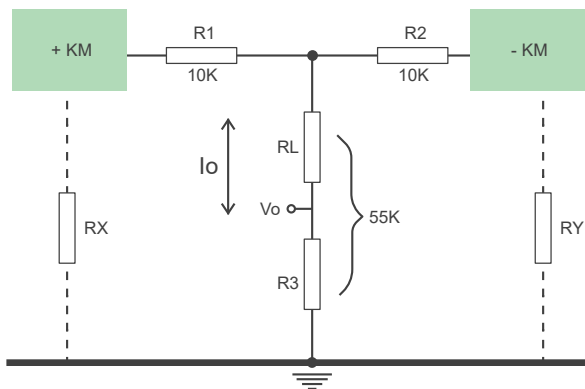


Introduction

ZJJ series DC insulation monitoring relay is an advanced device specially designed for monitoring the insulation condition of DC busbar. Using a fully calculated hardware voltage dividing circuit, it can directly display the ground resistance value, solving the problem of old-fashioned relays that only display the ground current or have no display. A highly sensitive ground resistance monitoring and display circuit can quantitatively evaluate the insulation degree of the DC system, which is crucial to ensuring the safe operation of the system.

The ZJJ series DC ground fault detector monitors the insulation condition of the DC busbar and the grounding resistance of the positive and negative buses online in real time. It adopts a fully static circuit, including a highly sensitive ground resistance monitoring and display circuit. When the insulation monitor is lower than the set value, a warning signal is issued. ZJJ-4SA adopts panel installation, while ZJJ-4SC adopts Din-rail installation.

Working Principle

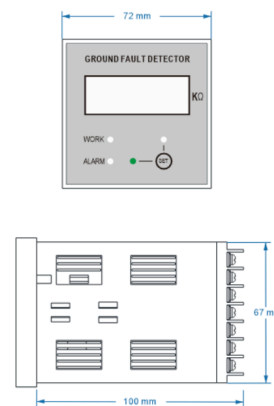


Main Features

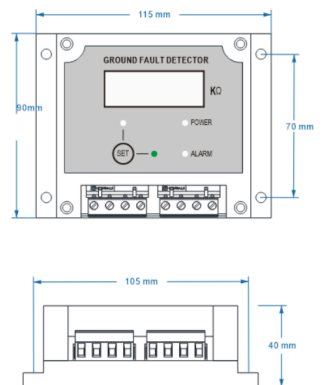
- Bridge balance method for resistance measurement.
- Smaller short-circuit grounding current for safe operation.
- Alarm resistance threshold online display and direct setting.
- Terminals are pluggable for easy maintenance and replacement.
- Monitoring the DC circuit bus bar's RF to earth insulation resistance.
- Direct LCD busbar grounding resistance values, positive and negative.
- Reinforced shell, modular structure, high reliability.
- Wide monitoring voltage, 48-1000V, working voltage 24-220V can be customized, adjustable response value ranges of 0-100kΩ.

Dimension

ZJJ-4SA: Panel Mounting



ZJJ-4SC: Din-rail Mounting



Technical Characteristics

Basic parameters	ZJJ-4SA	ZJJ-4SC
Input voltage	0-300VDC	0-1000VDC
Power supply voltage	Self-powered	85-265 VAC/DC
Power supply current	7-20mA	
Measuring resistance	0~199.9KΩ	0~1999KΩ
Relay capacity	10A@250VAC / 30VDC	2A@250VAC
Measurement accuracy	V=220V (5%)	V=1000V (5%)
Alarm setting range	0~100KΩ	0~990KΩ
Short circuit ground current	V=220V (2mA)	
Action return factor	Rs=50KΩ(95%-98%)	
Output contact capacity	Sensitive load=5mS(DC220V0.2A) Resistive load(DC220V 2A)	
Installation type	Panel mount	Din-rail mount
Operating temperature	-40°C ~ 70°C, RH 85%	

JY1000-ST INSULATION MONITORING RELAY

DC INSULATION MONITORING



Introduction

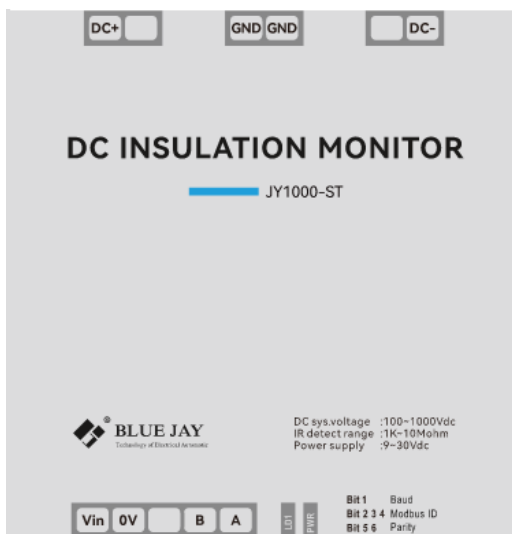
JY1000-ST is a DC insulation monitoring device based on MODBUS protocol, including DC to ground insulation impedance monitoring, DC voltage monitoring, DC voltage reverse connection alarm and other safety monitoring functions. It can be used for electric vehicle DC charging system, photovoltaic system, energy storage system, DC grid and other DC systems below 1000V.

JY1000-ST has the function of starting and stopping insulation monitoring. After insulation monitoring is started, the insulation resistance of positive and negative poles to ground can be monitored in real time. The monitoring result is not affected by DC voltage fluctuation, and is not affected by the symmetry of insulation resistance of positive and negative poles.

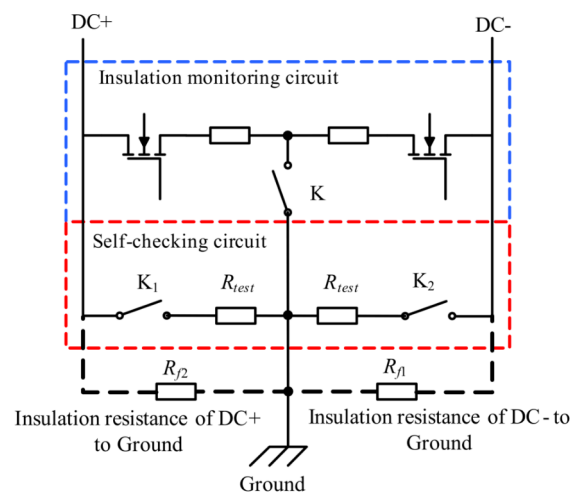
Main Features

- Rail mounting or screw fixing.
- Voltage reverse polarity alarm.
- High voltage grounding switch.
- Convenient parameter setting.
- Adaptive capacitance to ground.
- Monitor positive and negative poles.
- Insulation monitoring equipment self-test.
- RS485 remote monitoring and management.
- Widely insulation monitoring range (100V~1000VDC).

Terminal Definition



JY1000-ST Working Principle



Technical Characteristics

Basic parameters			
Power supply	10-30VDC, power 3W		
DC voltage range	100V~1000V		
DC voltage measurement accuracy	≤2V+0.3%		
Insulation resistance measurement range	1KΩ~10MΩ (DC System voltage:100V~1000V)		
Insulation monitoring accuracy (When :DC voltage:100V-1000V)	CY range	Resistance range	Accuracy
	0~0.8μF	≤60KΩ	≤3KΩ
		60kΩ<R≤1MΩ	≤5%
	0.8μF ~3μF	≤60KΩ	≤6KΩ
60kΩ<R≤1MΩ		≤20%	
Off-line pressure test	<2mA		
Maximum relay switching voltage	250VAC/30VDC		
Maximum relay switching current	3A		
Relay contact resistance	<100mΩ		
Relay insulation resistance	100MΩ		
Communication	RS485,modbus RTU		
Dimension	98*49*52mm,Din-rail:35mm		
Standard	IEC 61851-23 (2014-03):2014-11		
Humidity	85%		
Storage environment	- 40°C ~125°C		
Operating environment	- 40°C ~75°C		

Other parameters		
Pressure point	Maximum voltage rating	Time
DC+/DC- to GND	4200VDC/3000VAC	≤1min
Power supply +/- to GND	3500VDC/2500VAC	≤1min
RS485 A/B to GND	3500VDC/2500VAC	≤1min
DC+/DC- to power supply +/-	3500VDC/2000VAC	≤1min
DC+/DC- to A/B	3500VDC/2000VAC	≤1min

JY1000 INSULATION MONITORING RELAY

DC INSULATION MONITORING



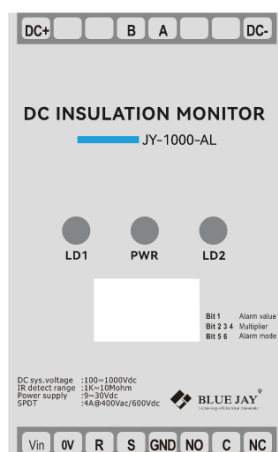
Introduction

JY1000 is an efficient insulation monitoring device specially designed for car charging piles. It can monitor the insulation status of the DC power supply system of charging piles in real time, detect potential insulation faults in time and alarm, effectively preventing fires and safety accidents. Users can realize start-stop and data collection of insulation monitoring through RS485 communication.

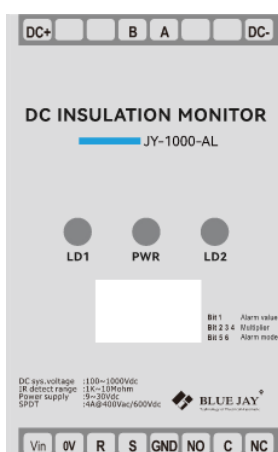
JY1000-AL is a DC-to-ground insulation monitoring module based on the unbalanced bridge principle, integrating monitoring and protection functions. It can monitor the insulation resistance value of the positive and negative poles of the DC floating system to the ground, ranging from 1KΩ to 10MΩ, and detect the DC voltage value, ranging from 100V to 1000V. In addition, JY1000-AL is equipped with a high-voltage grounding switch to realize online on-off function to ensure complete isolation from the ground when the module is powered off, reset or stops working.

JY1000	Standard model
JY1000-AL	With Fault alarm function

Terminal Definition



JY1000

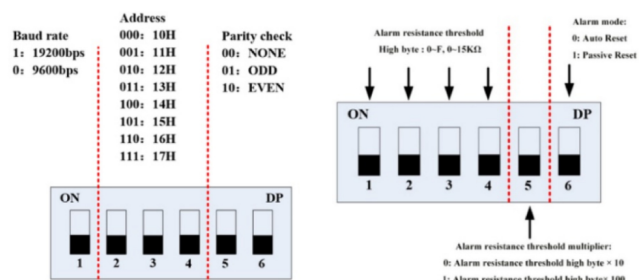


JY1000-AL

Main Features

- Adaptive capacitance to ground.
- Simple device setting by DIP switch.
- Faster monitoring speed of turning on.
- Communicate with RS485 modbus.
- Equipped with high voltage grounding switch.
- Wider DC insulation monitoring range DC 100~1000V.
- Unbalanced bridge principle for resistance measurement.
- Monitoring the DC circuit bus bar insulation resistance RF to earth.

DIP Switch Settings



JY1000

JY1000-AL

Technical Characteristics

Basic parameters			
Power supply	10-30VDC, power 3W		
DC voltage range	100V~1000V		
DC voltage measurement accuracy	≤2V+0.3%		
Insulation resistance measurement range	1KΩ~10MΩ (DC System voltage:100V~1000V)		
Insulation monitoring accuracy (When :DC voltage:100V-1000V)	CY range	Resistance range	Accuracy
	0~0.8μF	≤60KΩ	≤3KΩ
		60kΩ<R≤1MΩ	≤5%
	0.8μF ~3μF	≤60KΩ	≤6KΩ
60kΩ<R≤1MΩ		≤20%	
Off-line pressure test	<2mA		
Maximum relay switching voltage	250VAC/30VDC		
Maximum relay switching current	3A		
Relay contact resistance	<100mΩ		
Relay insulation resistance	100MΩ		
Communication	RS485,modbus RTU		
Dimension	98*49*52mm,Din-rail:35mm		
Standard	IEC 61851-23 (2014-03):2014-11		
Humidity	85%		
Storage environment	- 40°C ~125°C		
Operating environment	- 40°C ~75°C		

Other parameters		
Pressure point	Maximum voltage rating	Time
DC+/DC- to GND	4200VDC/3000VAC	≤1min
Power supply +/- to GND	3500VDC/2500VAC	≤1min
RS485 A/B to GND	3500VDC/2500VAC	≤1min
DC+/DC- to power supply +/-	3500VDC/2000VAC	≤1min
DC+/DC- to A/B	3500VDC/2000VAC	≤1min

JY1000-C2 INSULATION MONITORING RELAY

DC INSULATION MONITORING



Introduction

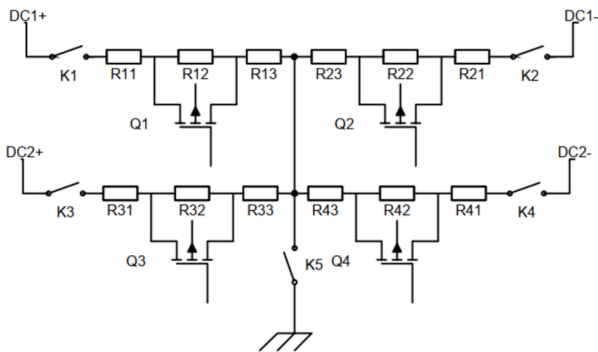
JY1000-C2 is used in on-line monitoring insulation resistance of the DC floating system (Dual DC system shared one ground). Dual DC channels are controlled independently, two DC insulation monitoring non-interference in each other. Users can enable or disable the insulation monitoring function of each DC channel and acquire insulation resistance values by RS485 communication.

JY1000-C2 adopts Dual-DC channels independent control scheme. Users can control dual-channel startup, close and data reading respectively according to the communication protocol.

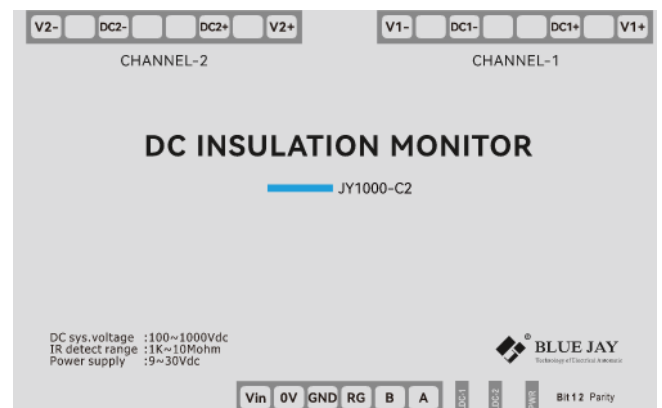
Main Features

- Dual-channels independent control.
- Remote monitoring and management.
- Monitor positive and negative poles.
- Ground insulation resistance.
- DC voltage monitoring.
- Vehicle side DC voltage monitoring.
- Voltage reverse polarity alarm.

Working Principle



Terminal Definition



Technical Characteristics

Basic parameters			
Power supply	10-30VDC, Power 6W		
DC voltage range	100V~1000V		
DC voltage measurement accuracy	≤2V+0.3%		
Insulation resistance measurement range	1KΩ~10MΩ (DC System voltage:100V~1000V)		
Insulation monitoring accuracy (When :DC voltage:100V-1000V)	CY range	Resistance range	Accuracy
	0~0.8μF	≤60KΩ	≤3KΩ
		60KΩ<R≤1MΩ	≤5%
	0.8μF ~3μF	≤60KΩ	≤6KΩ
60KΩ<R≤1MΩ		≤20%	
Off-line pressure test	<2mA		
Communication	RS485,Modbus RTU/ Private protocol		
Dimension	145*95*40mm,Din-rail:35mm		
Standard	IEC 61851-23 (2014-03):2014-11		
Humidity	85%		
Storage environment	- 40°C ~125°C		
Operating environment	- 40°C ~75°C		

Other parameters		
Pressure point	Maximum voltage rating	Time
DC+/DC- to GND	4200VDC/3000VAC	≤1min
Power supply +/- to GND	4200VDC/3000VAC	≤1min
RS485 A/B to GND	4200VDC/3000VAC	≤1min
DC+/DC- to power supply +/-	4200VDC/3000VAC	≤1min
DC+/DC- to A/B	4200VDC/3000VAC	≤1min

JY2000-AL INSULATION MONITORING RELAY

DC INSULATION MONITORING



Introduction

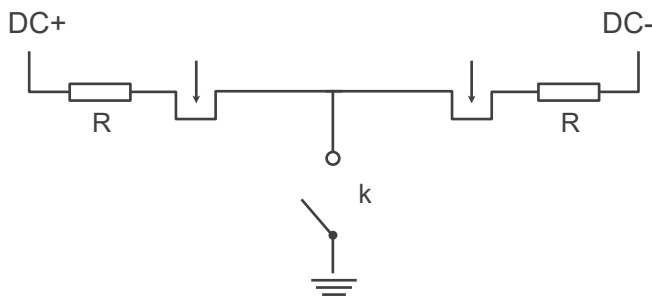
JY2000-AL is a DC to ground insulation monitoring module based on the principle of unbalanced bridge, which has monitoring and protection functions in one. It can monitor the insulation resistance value of the positive and negative poles of the DC floating system to the ground, ranging from 1KΩ to 10MΩ; at the same time, it can also detect the DC voltage value, ranging from 100V to 2000V.

After the insulation monitoring function is turned on, the product can continue to monitor the insulation resistance in real time, and user can read the insulation resistance value as soon as 1 second after the insulation monitoring function is turned on. For the DC to ground capacitance, module can realize self-adaptive monitoring the ground capacitance below 3μF (the positive and negative poles to the ground capacitance are respectively below 3μF, and the total capacitance is below 6μF).

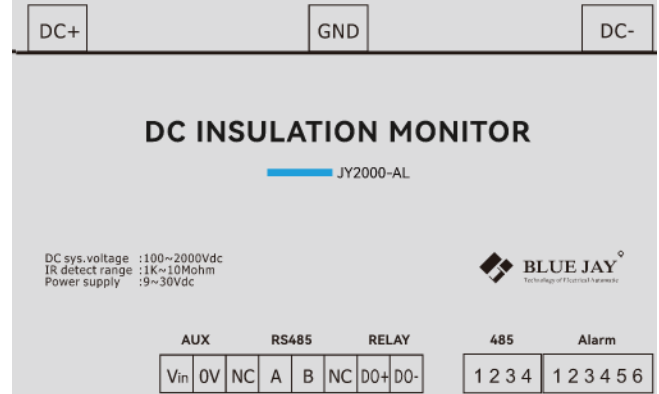
Main Features

- High voltage grounding switch.
- Widely power supply range.
- Widely insulation monitoring range (100V~2000VDC).
- Insulation monitoring equipment self-test.
- Adaptive capacitance to ground.
- Convenient parameter setting.
- Remote monitoring and management.
- Monitor positive and negative poles.
- Ground insulation resistance.
- Voltage reverse polarity alarm.

Working Principle



Terminal Definition



Technical Characteristics

Basic parameters		
Power supply	10-30VDC, Power 3W	
DC voltage range	100V~2000V	
DC voltage measurement accuracy	≤2V+0.3%	
Insulation resistance measurement range	1KΩ~10MΩ (DC System voltage:100V~1000V)	
Insulation monitoring accuracy	DC voltage:100V-300V	≤3KΩ+10%
	DC voltage:300V-2000V	≤3KΩ+5%
	CY>0.3μF, insulation resistance>1MΩ or CY>1μF	>10%
Off-line pressure test	<2mA	
Maximum relay switching voltage	250VAC/30VDC	
Maximum relay switching current	3A	
Relay contact resistance	<100mΩ	
Relay insulation resistance	100MΩ	
Communication	RS485,Modbus RTU	
Standard	IEC 61851-23 (2014-03):2014-11	
Dimension	145*115*40,Din-rail:35mm	
Humidity	85%	
Storage environment	- 40°C ~125°C	
Operating environment	- 40°C ~75°C	

Other parameters		
Pressure point	Maximum voltage rating	Time
DC+/DC- to GND	4200VDC/3000VAC	≤1min
Power supply +/- to GND	3500VDC/2500VAC	≤1min
RS485 A/B to GND	3500VDC/2500VAC	≤1min
DC+/DC- to power supply +/-	3500VDC/2500VAC	≤1min
DC+/DC- to A/B	3500VDC/2500VAC	≤1min